

Weights

Operating weight with canopy and bucket (ISO 6016)	1711 kg
Transport mass (no attachment)	1594 kg
Additional weight for cab with heating	96 kg
Additional weight for long dozer blade	9 kg
Ground pressure with rubber tracks	29.40 kPa

Engine

Make / model	Kubota / D722-E4B-BCZ-7
Fuel	Diesel
Number of cylinders	3
Displacement	719 cm ³
Maximum power @ 2500 rpm (ISO 14396)	10.2 kW
Maximum torque (SAE)	43.5 Nm

Performance

Digging force, dipperstick (ISO 6015)	9108 N
Digging force, bucket (ISO 6015)	16177 N
Drawbar pull	14334 N
Travel speed, low range	2.1 km/h
Travel speed, high range (optional)	4.3 km/h

Hydraulic System

Pump type	Triple gear pump
Total hydraulic capacity	32.50 L/min
Auxiliary flow	32.50 L/min
Auxiliary relief	227.0 bar

Slew System

Boom swing, left	80.0°
Boom swing, right	60.0°
Slew rate	8.7 RPM

Fluid Capacities

Cooling system	3.30 L
Engine lubrication plus oil filter	3.30 L
Fuel reservoir	19.00 L
Hydraulic reservoir	14.30 L
Hydraulic system	17.00 L

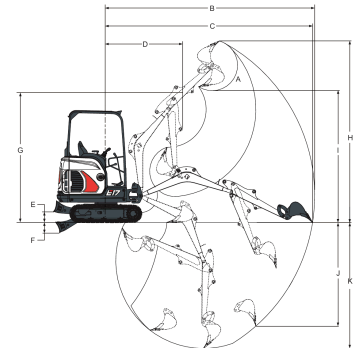
Environmental

Noise level LpA(EU Directive 2006/42/EC)	79 dB(A)
Noise level LWA(EU Directive 2000/14/EC)	93 dB(A)
Whole body vibration (ISO 2631-1)	0.33 ms ⁻²
Hand-arm vibration (ISO 5349-1)	0.51 ms ⁻²

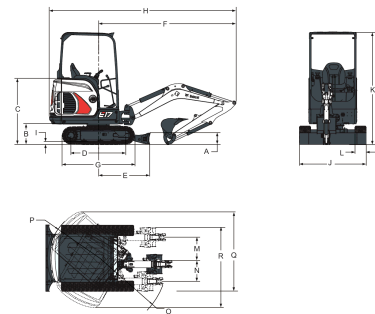
Standard Features

230 mm rubber track	Horn
980 mm dozer blade with two 190 mm blade extensions	Hydraulic and travel control lockout
Battery disconnect switch	Hydraulic joystick controls
Control console locks	Hydraulically retractable undercarriage from 1360 mm to 980 mm
Cupholders	Retractable seat belt
Double acting auxiliary hydraulics	Storage compartment
Engine monitor with auto shutdown	TOPS/ROPS/FOPS canopy ¹
Exposed counterweight with 4 mm steel tailgate	Upper structure four point tie down
Foldable and ergonomic pedals	Water separator
Full fuel warning alarm	Work light (boom)
Grease gun holder	Warranty: 12 months, 2000 hours (whichever occurs first)

1. Roll Over Protective Structure (ROPS) – Meets requirements of ISO 3471. Tip Over Protective Structure (TOPS) – Meets requirements of ISO 12117. Falling Object Protective Structure (FOPS) - Meets requirements of ISO 3449.

Working Range


(A)	196.0°	(G)	2405.0 mm
(B)	3919.0 mm	(H)	3371.0 mm
(C)	3871.0 mm	(I)	2370.0 mm
(D)	1526.0 mm	(J)	1810.0 mm
(E)	220.0 mm	(K)	2249.0 mm
(F)	204.0 mm		

Dimensions


(A)	235.0 mm	(J*)	1360.0 mm
(B)	419.0 mm	(K)	2299.0 mm
(C)	1340.0 mm	(L)	230.0 mm
(D)	1114.0 mm	(M)	433.0 mm
(E)	1045.0 mm	(N)	589.0 mm
(F)	2666.0 mm	(O)	1128.0 mm
(G)	1476.0 mm	(P)	1009.0 mm
(H)	3665.0 mm	(Q)	1801.0 mm
(I)	25.0 mm	(R)	1645.0 mm
(J)	980.0 mm		

Options

1st AUX hydraulic on arm	Special applications kit
Additional lights (2+1)	Demolition package (boom, arm, bucket cylinder covers & HD travel hoses guard)
AM/FM MP3 stereo radio	Fire Extinguisher
Beacon	Keyless ignition
Boom load holding valve	Travel motion alarm
Klacc C and MS01 couplers	TOPS/ROPS/FOPS cab with heater
Left and right mirror	Deluxe textile suspension seat
Long dozer blade	Two speed travel
Object handling device (safety valves + overload warning device + lifteye)	Auxiliary quick couplers