

1001

Wheel Dumpers



**WACKER
NEUSON**
all it takes!



The All-Round Dumper

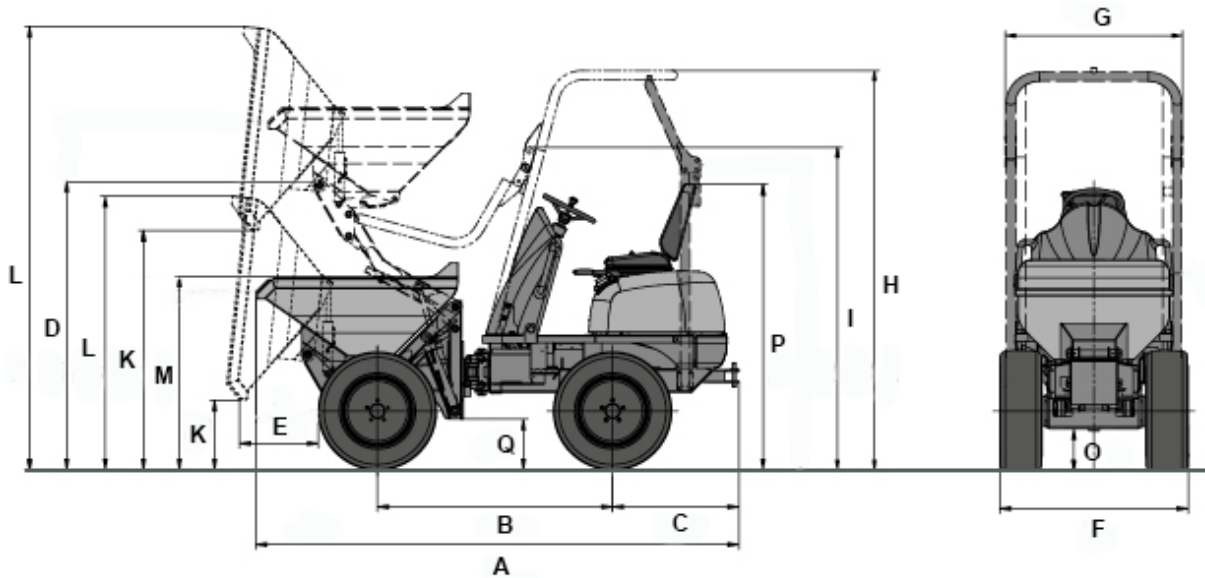
Fast, safe and easy transport even on the roughest of terrain and a discharge height of up to 1.56 m... the four-wheel dumper 1001 is particularly versatile, agile and extremely robust.

- High-tipping skip (1.56 m dumping height); maximum payload 1000 kg.
- Compact dimensions, optional narrow tires (990 mm machine width).
- Hydrostatic twin-lock four-wheel drive; continuously variable speed up to 14 km/h max.
- Large service and maintenance access.
- Clearly laid out instrument panel and wide, robust leg protection.

1001 Technical specifications

	High tip skip	Narrow
Operating data		
Payload kg	1,000	850
Shipping weight kg	1,215	1,150
Skip capacity level l	415	415
Skip capacity heaped l	525	525
Skip capacity water volume l	275	275
Engine / Motor		
Engine / Motor manufacturer	Yanmar	Yanmar
Engine / Motor type	3TNV76	3TNV76
Engine / Motor	Diesel	Diesel
Engine performance acc. to ISO 3046/1 kW	18.9	18.9
Emission standards stage	5	5
Displacement cm ³	1,116	1,116
Engine RPM rpm	3000	
Travel speed km/h	14	14
Articulation angle °	33	33
Pendulum angle °	15	15
Turning radius mm	3,200	3,200
Gradeability %	45	45
Tires	10.00/75-15	6.00/16
L x W x H mm	3080 x 1180 x 2580	3080 x 990 x 2580
Steering pump	Axial piston pump	Axial piston pump
Flow rate l/min	84	84
Operating pressure bar	360	360
Duty pump	Gear pump	Gear pump
Flow rate l/min	25	25
Operating pressure bar	170	170
Fuel tank capacity l	15	15
Sound level (LwA) dB(A)	101	101

1001 Dimensions



		High tip skip	Narrow
A	Overall length	3,080 mm	3,080 mm
B	Wheelbase	1,500 mm	1,500 mm
C	Rear overhang	810 mm	810 mm
D	Height	1,825 mm	1,825 mm
E	Dumping distance	510 mm	510 mm
F	Width vehicle	1,180 mm	990 mm
G	Skip width	990 mm	990 mm
H	Height ROPS	2,580 mm	2,580 mm
I	Height ROPS tipped	2,080 mm	2,080 mm
K	Dump height max.	465 mm	465 mm
K	Dump height max. High tip skip raised	1,560 mm	1,140 mm
L	Skip height tipped	1,770 mm	1,770 mm
L	Skip height High tip skip raised	2,860 mm	2,440 mm
M	Skip height	1,230 mm	1,230 mm
O	Ground clearance	270 mm	270 mm
P	Seat height	1,850 mm	1,850 mm
Q	Distance	327 mm	327 mm

Please note: that product availability can vary from country to country. It is possible that information / products may not be available in your country. More detailed information on engine power can be found in the operator's manual; the stated power may vary due to specific operating conditions. Subject to alterations and errors excepted. Applicable also to illustrations.
Copyright © 2020 Wacker Neuson SE.