

3001

Wheel Dumpers



**WACKER
NEUSON**
all it takes!



Operator comfort and high productivity

This mid size dumper features a 6,600 lb (3-metric ton) payload capacity, power swivel material handling and hydrostatic permanent four wheel drive as standard. The hydrostatic drive system offers user-friendly controls, eliminating the need to change gears. The 3001 offers superior performance, the drive system automatically provides torque when and where it is needed. With no clutch to wear or gears to grind, hydrostatic drive eliminates the high parts and labor costs associated with replacing these components. ROPS and heated cab versions are available.

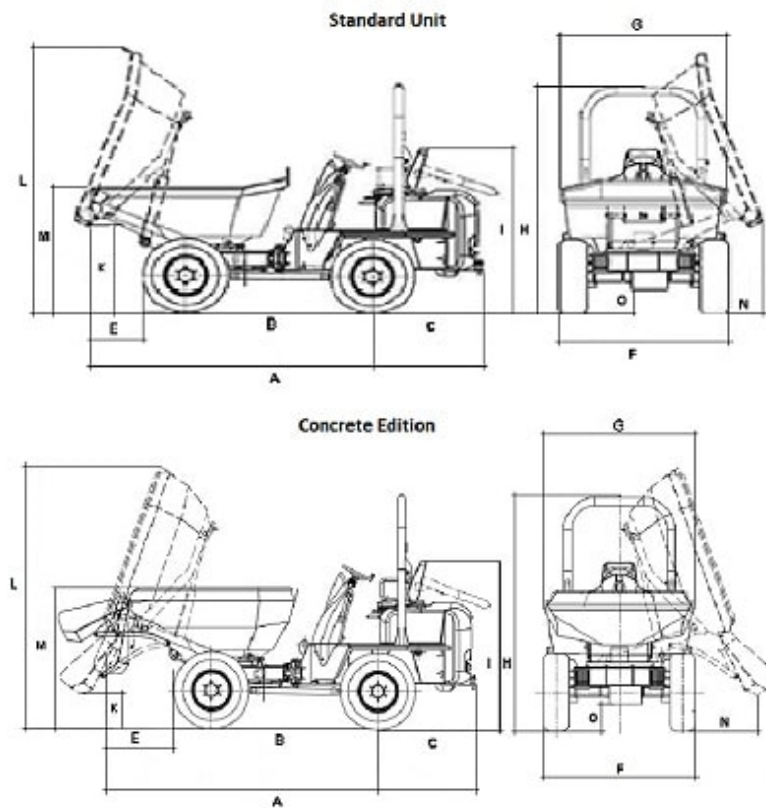
- Operator station is easily accessible from both sides for added convenience.
- Swivel bucket allows material to be unloaded on either side of the unit for ultimate versatility.
- Four-wheel drive provides perfect traction in difficult terrain. Articulated steering with central hose routing allows for tight turning radius and protection of the hoses.
- Dashboard displays a full range of dials/indicator lights such as fuel gauge, low fuel warning light and parking brake light for operator convenience.
- Available in Concrete Edition to efficiently transport and place concrete with minimal spillage.

3001 Technical specifications

3001 Tier IV

	Swivel tip skip	Swivel tip skip - Concrete Edition
Operating data		
Payload lb	6,614	6,614
Shipping weight ROPS lb	5,622	5,842
Shipping weight Cabin lb	5,842	
Skip capacity - Leveled yd ³	1.73	2.11
Skip capacity - Heaped yd ³	2.34	2.59
Skip capacity - Water yd ³	1.22	1.48
Engine / Motor		
Engine / Motor manufacturer	Perkins	Perkins
Engine / Motor type	403F-15T	403F-15T
Engine / Motor	Diesel	Diesel
Engine performance - ISO 3046/1 hp	36.2	36.2
Displacement in ³	91.3	91.3
Engine RPM rpm	2800	2800
Travel speed mph	13.7	13.7
Articulation angle °	37	37
Pendulum angle °	15	15
Turning radius in	151.6	151.6
Gradeability %	50	50
Tires	11.5/80 x 15.3, 10PR	11.5/80 x 15.3, 10PR
L x W x H ROPS in	166.9 x 70.3 x 105.1	166.9 x 70.3 x 105.1
Steering pump	axial piston pump	axial piston pump
Flow rate US gpm	33	33
Operating pressure psi	5,221	5,221
Duty pump	gear pump	gear pump
Flow rate US gpm	12	12
Operating pressure psi	3,191	3,191
Fuel tank capacity US gal	11.9	11.9
Hydraulic oil tank US gal	8.7	8.7
Sound level (LwA) dB(A)	101	101

3001 Dimensions



		Standard Unit	Concrete Edition
A	Overall length	166.9 in	181.1 in
B	Wheelbase	77.2 in	77.2 in
C	Rear overhang	49.6 in	49.2 in
E	Dumping distance - Front	23.6 in	
F	Width	70.3 in	70.3 in
G	Skip width	69.9 in	70.1 in
H	Height	105.1 in	108.3 in
H	Height - Cab	73.6 in	
I	Height - ROPS folded down	102.8 in	70.1 in
K	Dump height max.	40.2 in	15 in
L	Skip height - Tipped	123 in	120.9 in
M	Skip height - Not tipped	58.1 in	65.4 in
N	Dumping distance - Lateral	9.6 in	
O	Ground clearance	11 in	11 in
--	Dump angle	46 °	

Please note: that product availability can vary from country to country. It is possible that information / products may not be available in your country. More detailed information on engine power can be found in the operator's manual; the stated power may vary due to specific operating conditions. Subject to alterations and errors excepted. Applicable also to illustrations.
Copyright © 2020 Wacker Neuson SE.